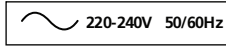




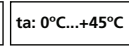
IS1600



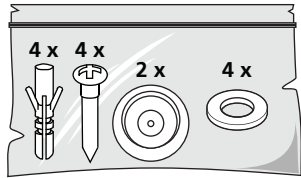
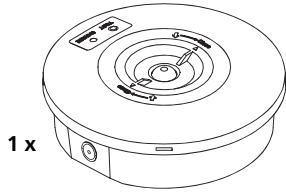
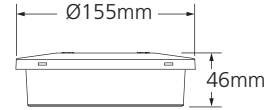
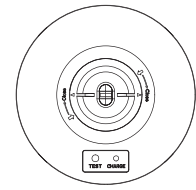
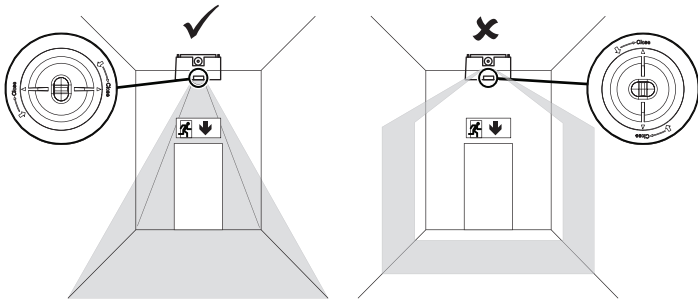
IS500



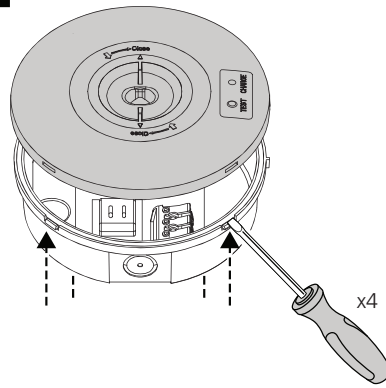
220-240V 50/60Hz



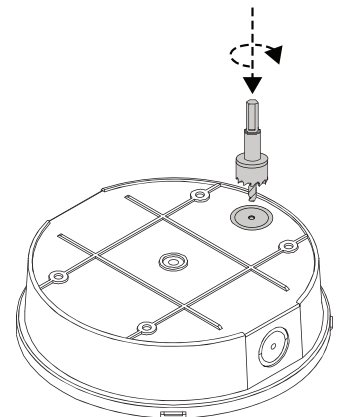
ta: 0°C...+45°C



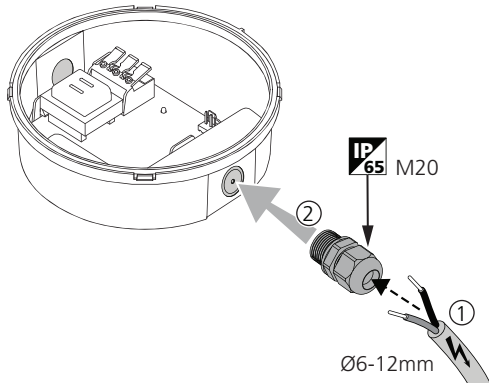
1



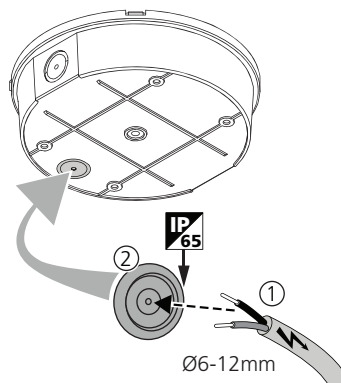
2



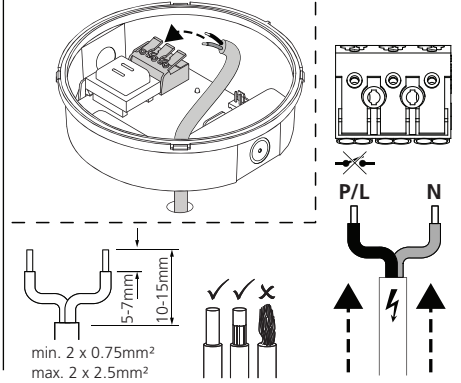
3a ⚡ 220-240V~+ □



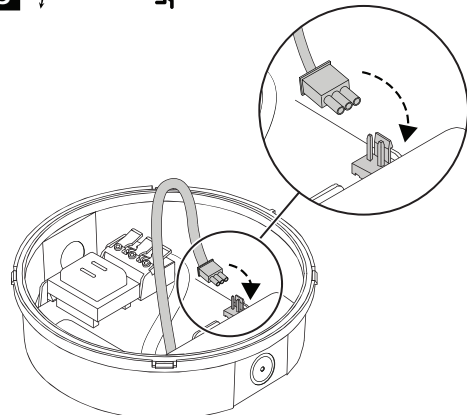
3b ⚡ 220-240V~+ □



4 ⚡ 220-240V~+ □



5 ⚡ 220-240V~+ ⚡

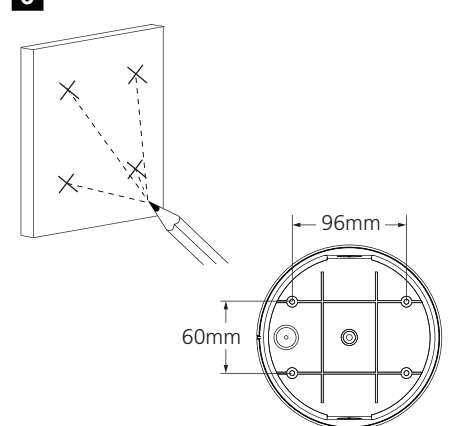


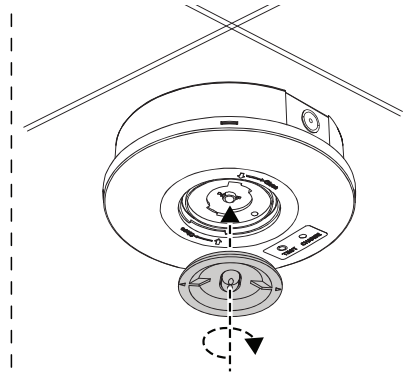
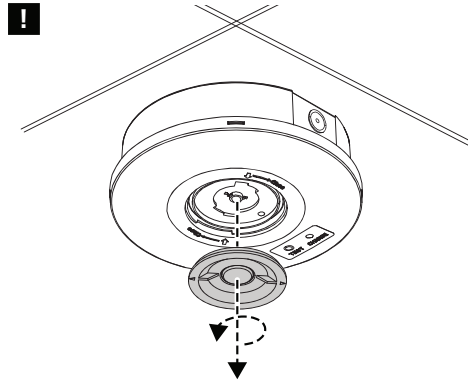
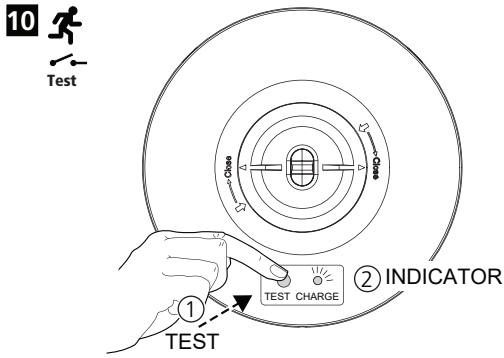
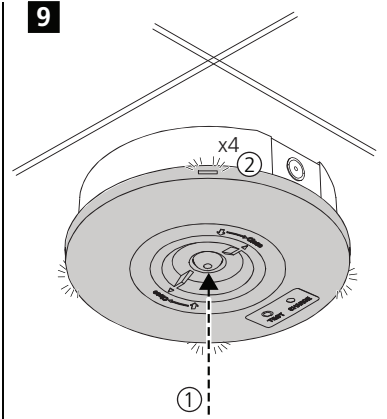
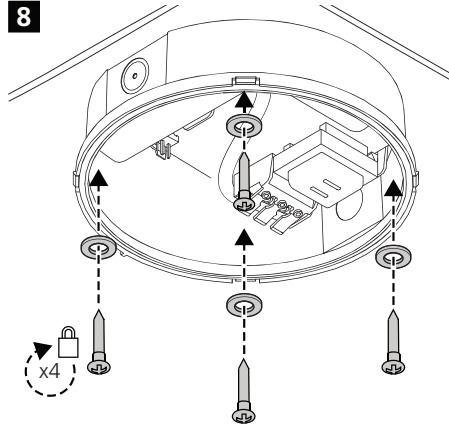
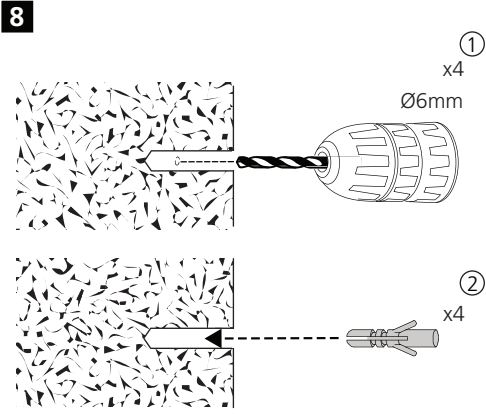
!

Rechargeable LiFePO4 Battery
 IFR-26650-3300mAh-3.2V
 3.2V - 3.3Ah 10.5Wh
 Charge Temp 0-60°C
 Do not short circuit or incinerate

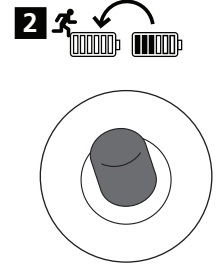
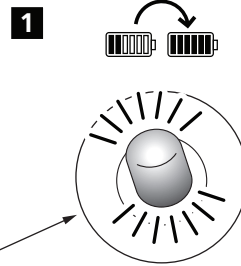
Commissioning Date: _____ Manuf. Date:yy/mm

6





! 0032008



<2s	TEST	
3-5s	TEST	
5-8s	TEST 60s	
>10s	RESET	

LED Colour	Status	ON	OFF	
Green		∞	-	NORMAL
		1s	1s	TEST
		0.2s	0.2s	TEST
Red		0.5s	0.5s	RESET
		∞	-	
		1s	1s	
OFF		0.2s	0.2s	
		-	∞	